

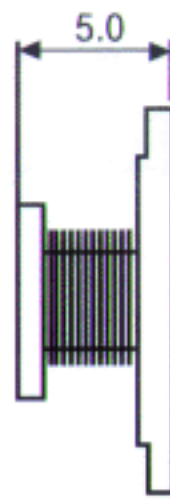
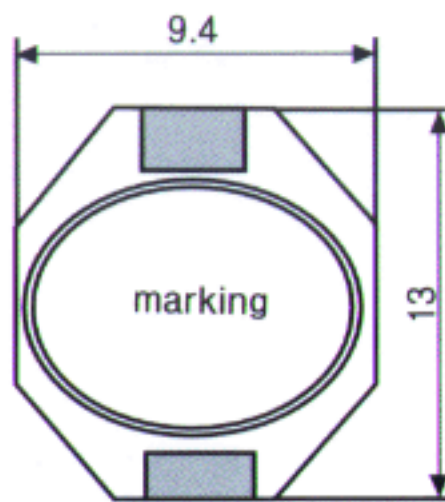
B1350 Series

Application

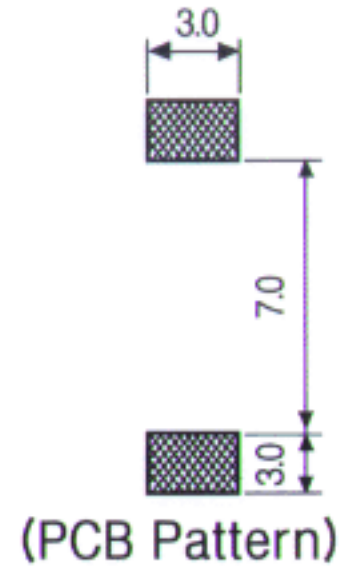
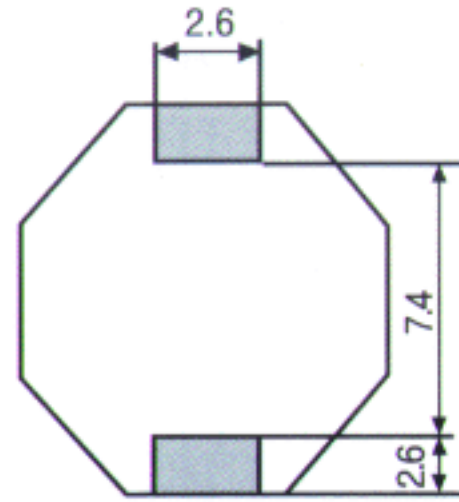
- ▶ Notebook Computer & PDA
- ▶ Battery Powered Equipment
- ▶ DC/DC Converters
- ▶ Digital cameras, Scanners
- ▶ CD-ROM & DVD



Shape & Dimensions (Unit:mm)



Tolerance : ± 0.2



Standard Specifications

Part No.	Inductance	D.C. Resistance	Rated Current
	($\mu\text{H} \pm 20\%$)	($\Omega \pm 20\%$)	(A max)
SFOB1350-3R3100	10	0.028	3.30
SFOB1350-2R3220	22	0.062	2.30
SFOB1350-1R7330	33	0.095	1.70
SFOB1350-1R4470	47	0.136	1.40
SFOB1350-1R2680	68	0.195	1.20
SFOB1350-1R0101	100	0.282	1.00

1. Inductance Tested at 1kHz, 1Vrms.
2. Inductance measured by HP 4284A, PRECISION LCR METER
3. Inductance drop 10% typ. at rated current
4. Operating temperature range -40°C to $+85^{\circ}\text{C}$
5. Electrical specifications at 25°C